

Fruit counter

— Fruit counter

— Description

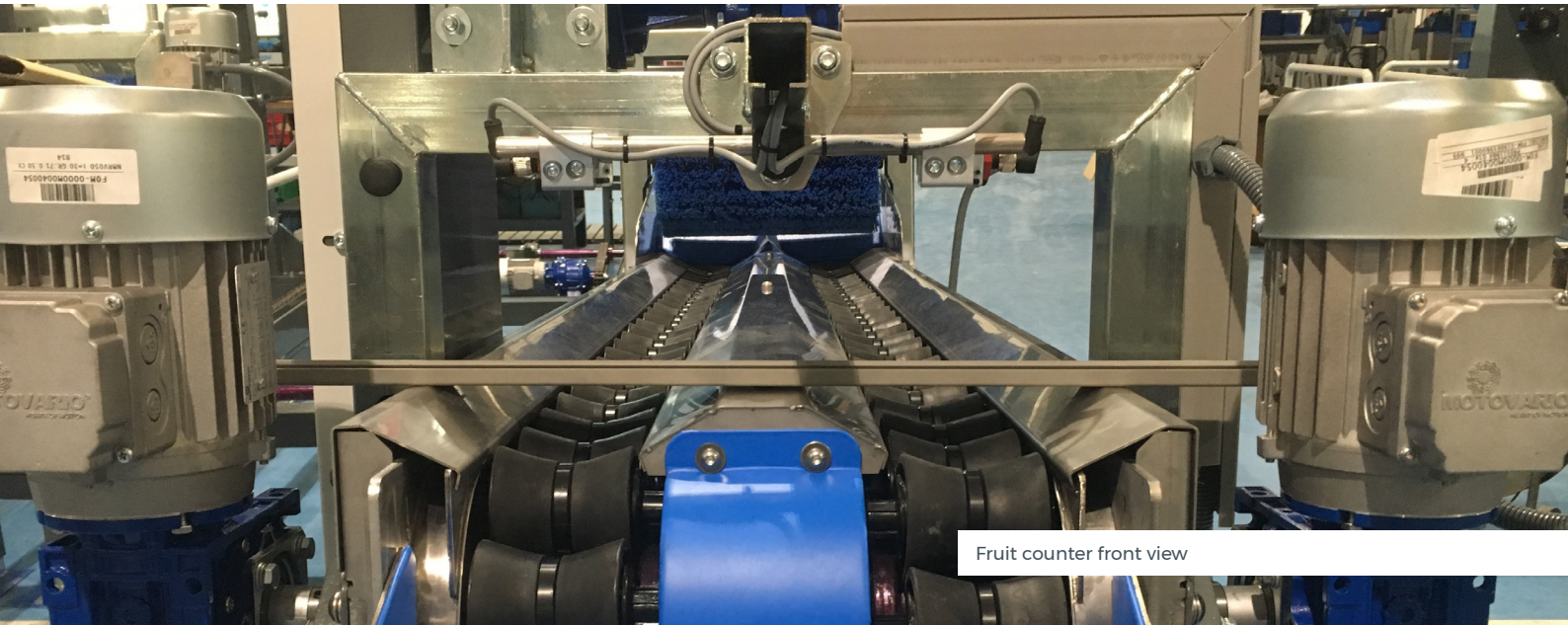
The fruit counter is a machine prepared for controlling fruit units. It can also be used to place fruit labels.

It consists of two independent lanes driven by motors. The product is positioned by the rotation of the grommets helped by a brush at the beginning. The unit dosage is controlled by proximity-sensor photocells.

— Features

- Available in different pitches according to the size of the fruit.
- It can be combined with a weight hopper to have the counting and weight function at the same time.
- Highest quality standards to ensure long durability.

Fruit counter



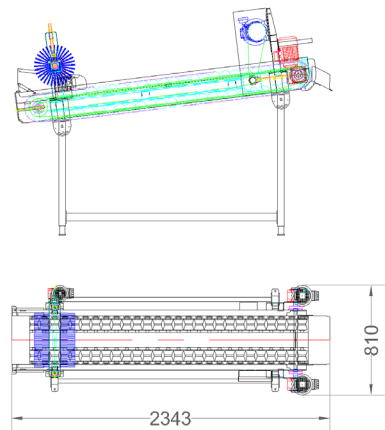
Fruit counter front view

Key specifications

- Designed to comply with the Machine Directive of the European Union (CE) 2006/42/CE
- Maximum capacity:
230 grommets/minute

Technical information

- Power: 3 phases - 380 V - 50 Hz
- Power consumption: 1,48 KW



Fruit counter plant & side view

If you'd like to find out more or to discuss your specific packhouse requirements, please visit www.sienz.com